

1x30 W Constant Current LED driver

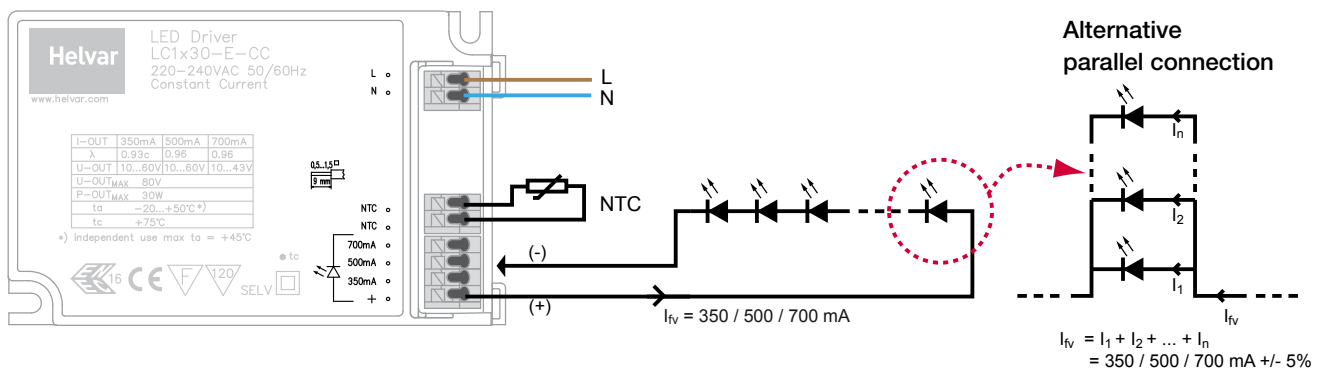


30 W 220-240 VAC, 50-60 Hz

- Selectable constant current output: 350 / 500 / 700 mA (fixed)
- Maximum 30 W load
- Short circuit protection
- High efficiency, 0.86
- Optional click-on strain relief for independent use
- External NTC thermal input
- Protected up to 4 kV power network fast transients



Connections



Note: Not suitable for load side switching operation.

Mains Characteristics

Voltage range	198 - 264 VAC
DC range	176 - 280 VDC, starting voltage > 190 VDC
Max mains current at full load	0.14-0.18 mA
Frequency	0 / 50 - 60 Hz
U-OUT _{max} (abnormal)	80 V

Load Output

Output current (I-OUT)	350 / 500 / 700 mA
Max output power	30 W
Efficiency, at full load, typical	≥ 0.86

I-OUT	350 mA	500 mA	700 mA
P-out (max)	21 W	30 W	30 W
U-OUT	10 - 60 V	10 - 60 V	10 - 43 V
λ	0.93c	0.96	0.96
η @ max	0.86	0.86	0.86

Operating Conditions and Characteristics

Max. temperature at t _c point	75 °C
Ambient temperature range	-20...+50 °C *
	(* Independent use t _{a max} = +45 °C)
Storage temperature range	-40...+80 °C
Maximum relative humidity	no condensation
Life time	50 000h, at TC max (90 % survival rate)

Connections and Mechanical Data

Wire size	0.5 - 1.5 mm ²
Wire type	solid core and fine-stranded
Maximum driver to LED wire length	5m (1 m with NTC)
Weight	115 g (+17 g, strain relief LC1x30-SR)
Thermal sensor input	Input for external NTC thermal sensor
NTC trigger point	8.2 k Ω
IP rating	IP20

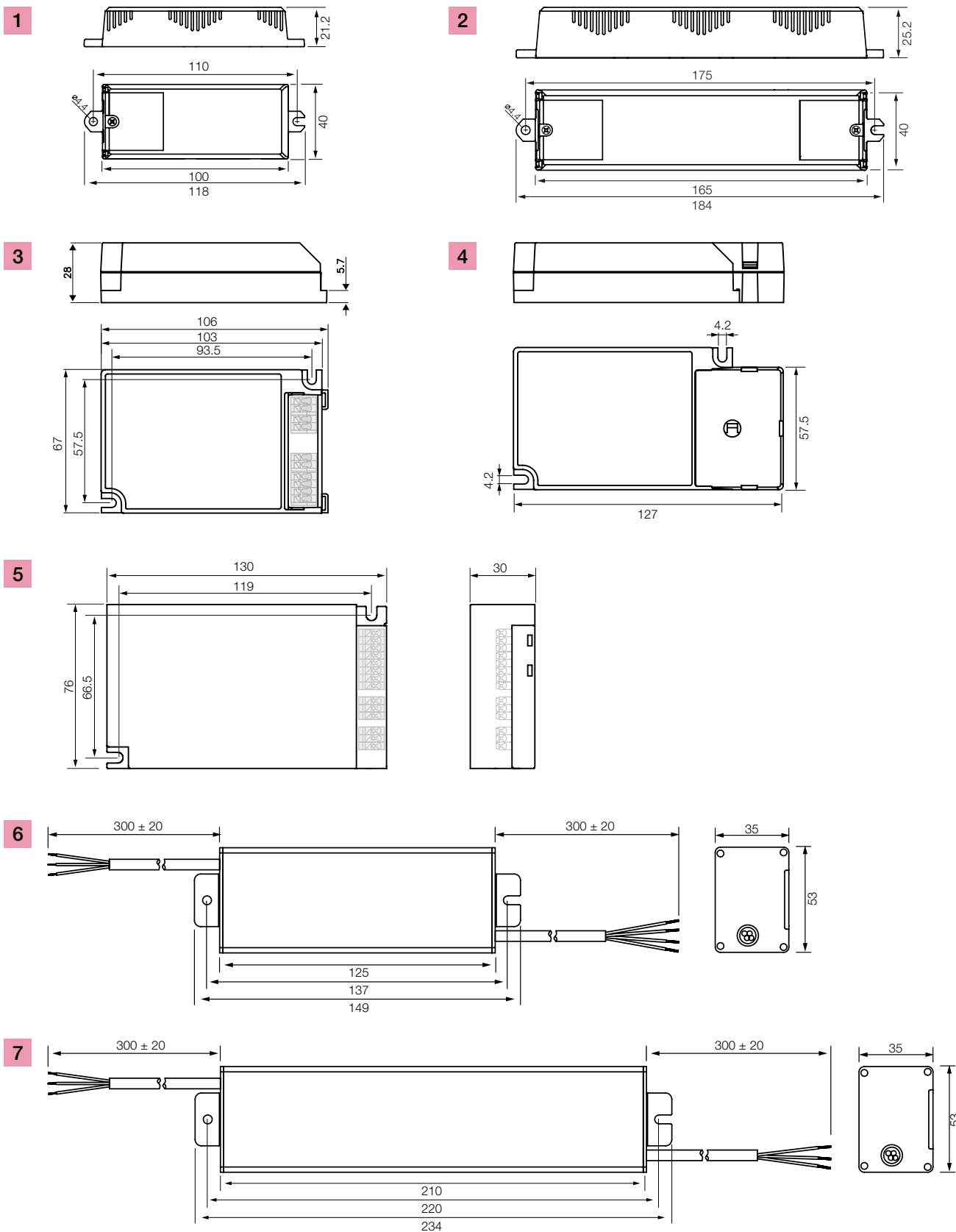
Conformity & Standards

General and safety requirements	EN 61347-1
Particular safety requirements for d.c. or a.c. supplied electronic controlgear for LED modules, acc. to	EN 61347-2-13
Thermal protection class	EN61347, C5e
Mains current harmonics, acc. to	EN 61000-3-2
Limits for Voltage Fluctuations and Flicker, acc. to	EN 61000-3-3
Radio Frequency Interference, acc. to	EN 55015
Immunity standard, acc. to	EN 61547
Performance requirements, acc. to	EN 62384

Compliant with relevant EU directives
 ENEC, CE & SELV marked

Note: See page 79 for dimensions, (no. 3 & 4)

Dimensions



1	LL6-U-CC
2	LL20-U-CC
3	LC1x30-E-CC, LC1x30-E-DA, LC1x30-E-AN
4	LC1x30-E-CC, LC1x30-E-DA, LC1x30-E-AN (+ LC1x30-SR)
5	LC50-U-DX3

6	OL1x60-E-CC
7	OL1x100-E-CC1, OL1x100-E-CC2