

## 1x30 W Dimmable 1-10 V LED driver

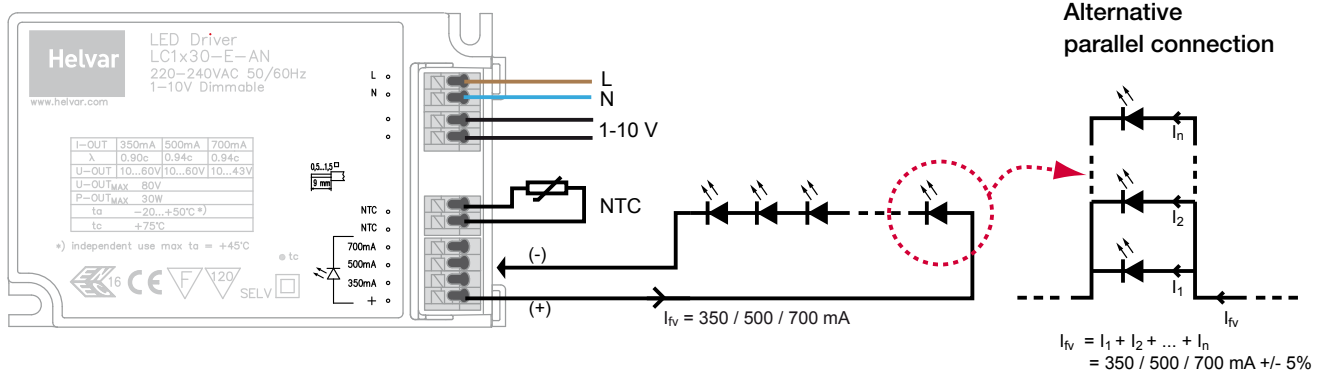


**30 W 220-240 VAC, 50-60 Hz**

- Selectable constant current output: 350 / 500 / 700 mA (custom currents on request)
- Maximum 30 W load
- 1-10 V control input, 1 %-100 % dimming range
- Protected up to 4 kV power network fast transients
- High efficiency, 0.86
- Optional click-on strain relief for independent use
- External NTC thermal input
- MIMO3 and  $\mu$ Dim sensor compatible



### Connections



**Note:** Not suitable for load side switching operation.

### Mains Characteristics

|                                 |   |
|---------------------------------|---|
| Voltage range                   | 198 - 264 VAC                             |
| DC range                        | 176 - 280 VDC, starting voltage > 190 VDC |
| Max mains current at full load  | 0.14-0.18 mA                              |
| Frequency                       | 0 / 50 - 60 Hz                            |
| U-OUT <sub>max</sub> (abnormal) | 80 V                                      |

### Load Output

|  |                    |
|--|--------------------|
| Output current (I-OUT)                               | 350 / 500 / 700 mA |
| <i>(custom output currents 245-700mA on request)</i> |                    |
| Max output power                                     | 30 W               |
| Efficiency, at full load, typical                    | ≥ 0.86             |

| I-OUT        | 350 mA    | 500 mA    | 700 mA    |
|--------------|-----------|-----------|-----------|
| U-OUT        | 10 - 60 V | 10 - 60 V | 10 - 43 V |
| $\lambda$    | 0.90c     | 0.94c     | 0.94c     |
| $\eta$ @ max | 0.86      | 0.86      | 0.86      |

### Operating Conditions and Characteristics

|   |   |
|---|---|
| Max.temperature at t <sub>c</sub> point         | 75 °C                                   |
| Ambient temperature range                       | -20...+50 °C *                          |
| (* Independent use t <sub>a max</sub> = +45 °C) |   |
| Storage temperature range                       | -40...+80 °C                            |
| Maximum relative humidity                       | no condensation                         |
| Life time                                       | 50 000h, at TC max (90 % survival rate) |

### Connections and Mechanical Data

|                                   |  |
|-----------------------------------|--|
| Wire size                         | 0.5 - 1.5 mm <sup>2</sup>              |
| Wire type                         | solid core and fine-stranded           |
| Maximum driver to LED wire length | 5m (1 m with NTC)                      |
| Weight                            | 126 g (+17 g, strain relief LC1x30-SR) |
| Thermal sensor input              | Input for external NTC thermal sensor  |
| NTC trigger point                 | 8.2 k $\Omega$                         |
| IP rating                         | IP20                                   |

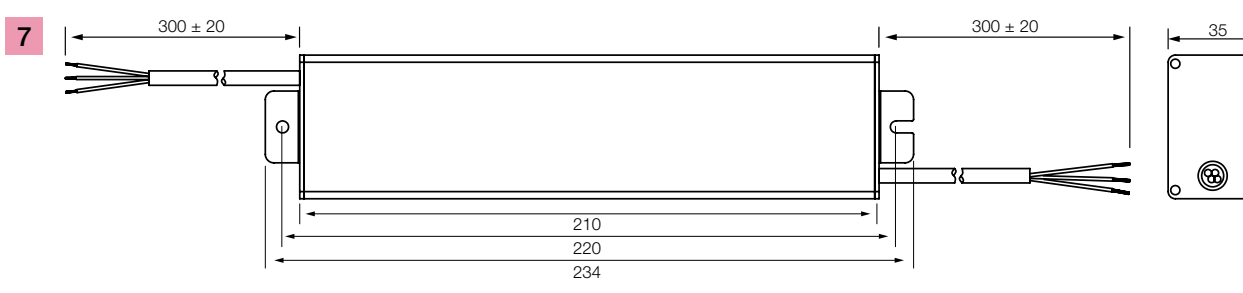
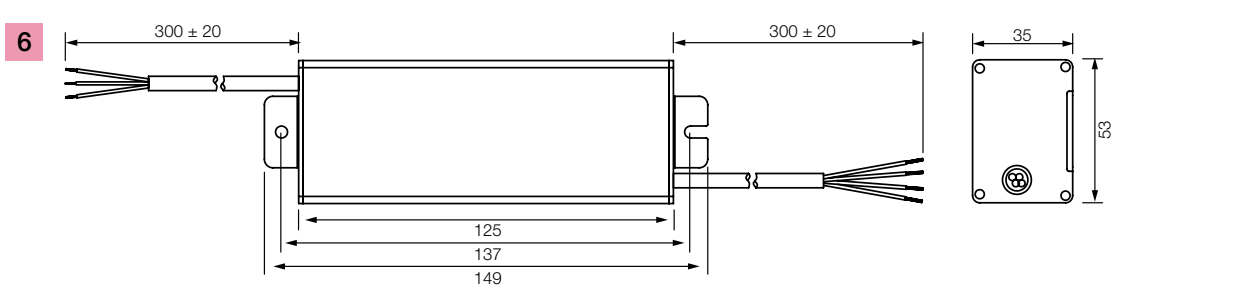
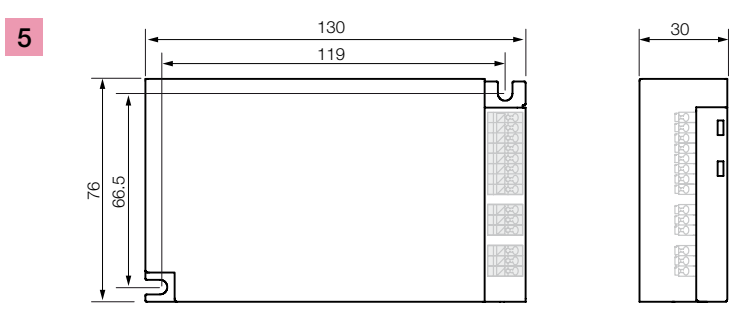
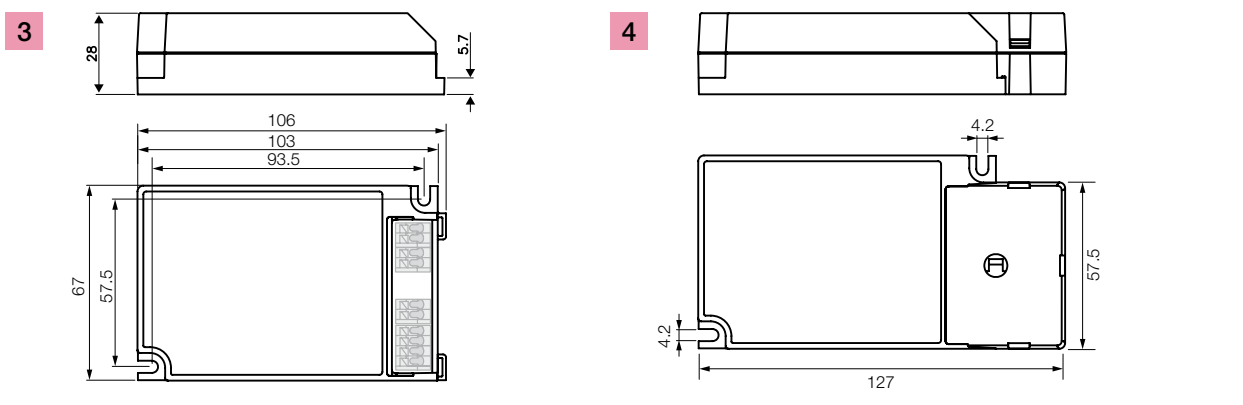
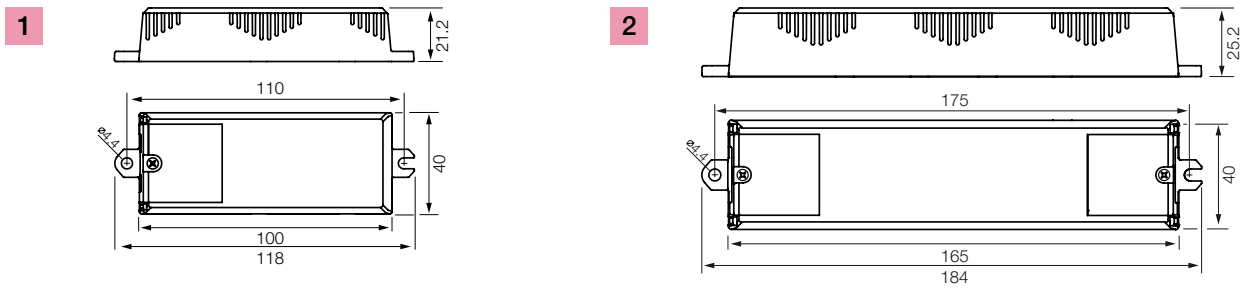
### Conformity & Standards

|  |               |
|--|---------------|
| General and safety requirements  | EN 61347-1    |
| Particular safety requirements for d.c. or a.c. supplied electronic controlgear for LED modules, acc. to | EN 61347-2-13 |
| Thermal protection class   | EN61347, C5e  |
| Mains current harmonics, acc. to   | EN 61000-3-2  |
| Limits for Voltage Fluctuations and Flicker, acc. to   | EN 61000-3-3  |
| Radio Frequency Interference, acc. to  | EN 55015      |
| Immunity standard, acc. to   | EN 61547      |
| Performance requirements, acc. to  | EN 62384      |
| 1-10 V Control acc. to   | EN 60929      |

Compliant with relevant EU directives  
ENEC, CE & SELV marked

**Note:** See page 79 for dimensions, (no. 3 & 4)

## Dimensions



|   |   |   |                              |
|---|---|---|------------------------------|
| 1 | LL6-U-CC  | 6 | OL1x60-E-CC                  |
| 2 | LL20-U-CC   | 7 | OL1x100-E-CC1, OL1x100-E-CC2 |
| 3 | LC1x30-E-CC, LC1x30-E-DA, LC1x30-E-AN               |   |                              |
| 4 | LC1x30-E-CC, LC1x30-E-DA, LC1x30-E-AN (+ LC1x30-SR) |   |                              |
| 5 | LC50-U-DX3  |   |                              |