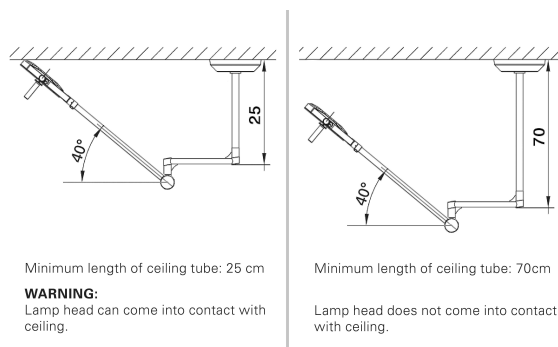


Dmed® triango 30 C

TECHNICAL DATA

TREATMENT LIGHTS

FITTED WITH	1 x LED lamp
LUMINOUS POWER	60'000 Lux / 1,0 m
ILLUMINANCEFIELD 1,0 M	Ø 16 cm
COLOR RENDERING INDEX (CRI)	> 95
COLOUR TEMPERATUR	approx. 4500 K
DEPTH OF ILLUMINATION L1+L2	1.2 m
WORK EQUIPMENT	electronic converter
CONNECTED LOAD	100-240 V; 50/60 Hz
MAINS LEAD	direct power supply
LUMINAIRE BODY	polycarbonate & acrylonitrile butadiene styrene copolymer (PC & ABS)
WEIGHT (NET)	approx. 13.0 kg
POWER CONSUMPTION	approx. 30 W
BALANCE OF ARTICULATION JOINTS	spring (weight compensation)
CLASS OF PROTECTION	I
ACCESSORY	sterilizable handle, adapter for suspended ceiling
NORMS	EN 60601-1, EN 60601-2-41
SPECIAL FEATURES	sterilisable grip, continuously dimmable, maintenance free
FASTENING	ceiling mount, when mounting ceiling tube could be cut to length 30-120 cm, intermediate ceiling adapter (on request)
SYSTEM OF PROTECTION	IP 43



LIGHT DISTRIBUTION

TECHNICAL DRAWING

