

## Surface mounting boxes for 311, 312, 313, 314 and 317 sensors

The SBB-A, SBB-B and SBB-C are surface mounting boxes (back boxes) for these Helvar DALI lighting system sensors:

- 311 PIR Detector
- 312 Multisensor
- 313 Low-Profile Microwave Detector
- 314 Tilting Microwave Detector
- 317 High Bay PIR Detector

The mounting boxes are supplied with fixing screws.

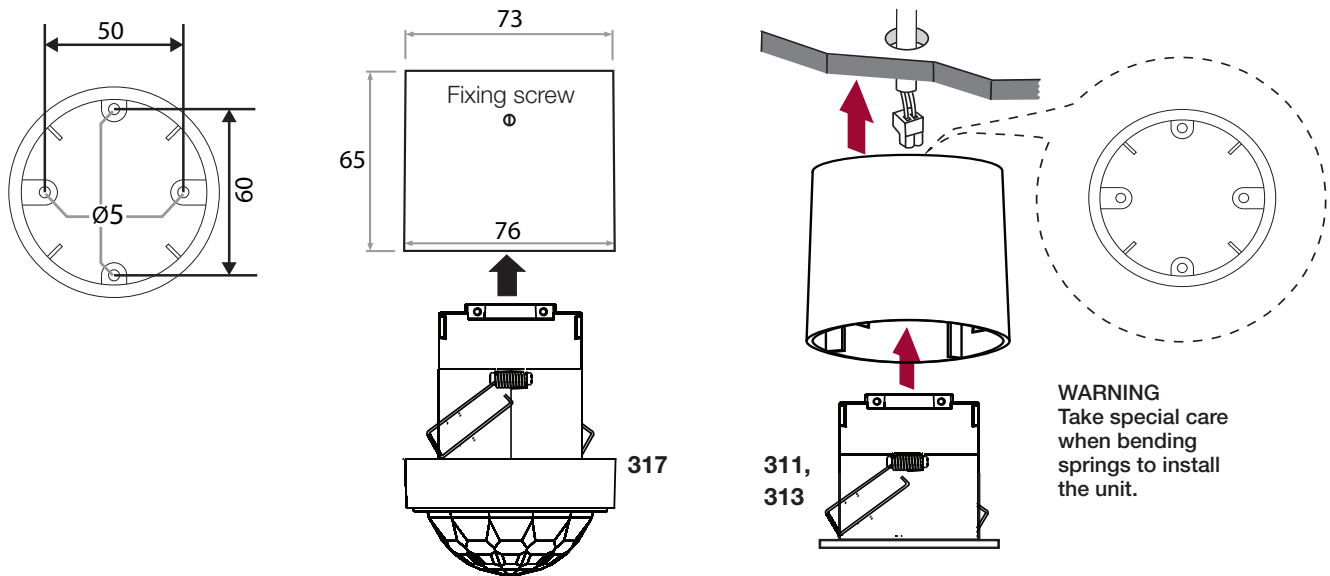


**SBB-A:**  
311, 313, 317

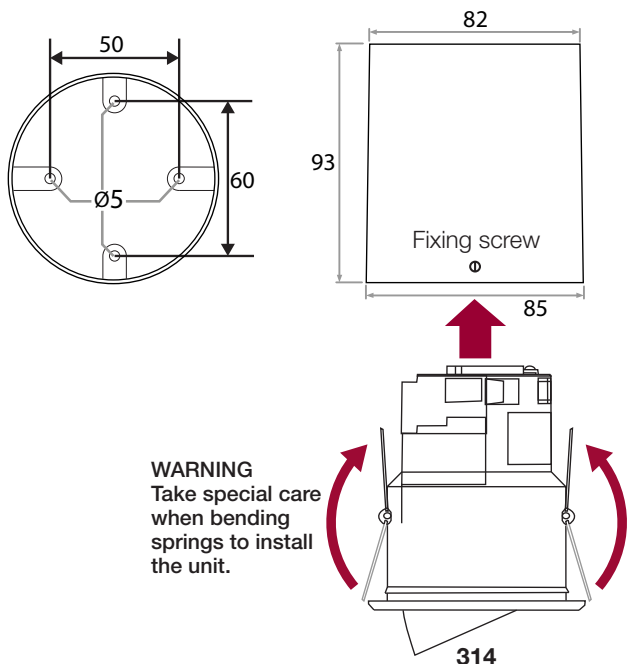
**SBB-B:**  
314

**SBB-C:**  
312

### SBB-A: for 311, 313 and 317



### SBB-B: for 314



### SBB-C: for 312

