

## iDim Solo (Interface Module)

The iDim Solo is used as an interface module to connect the iDim Sense (316 Standalone) and iDim ballasts as well as user interfaces. Additionally, the iDim Solo can be used as a DALI power supply unit (PSU). The unit is housed in a standard ballast-style enclosure (30 mm width x 21 mm height) making it fast and easy to assemble.



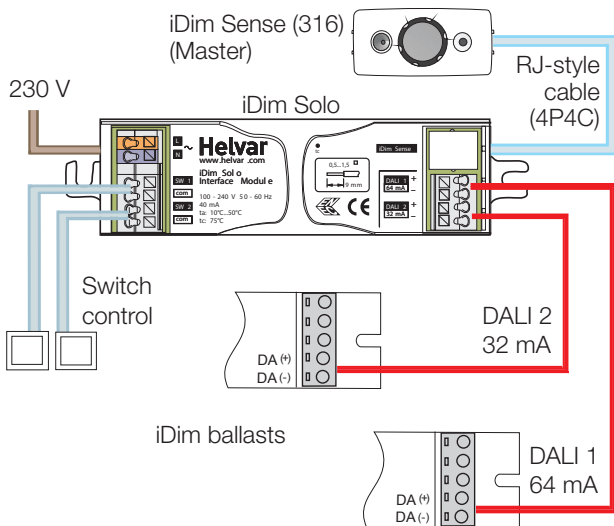
### Key Features

- Power capability: 64 mA (DALI 1), 32 mA (DALI 2) or 96 mA when operating in parallel
- 2 x DALI outputs
- 2 x Switch control inputs
- iDim Sense connection (RJ style, 4P4C)
- Mains connection

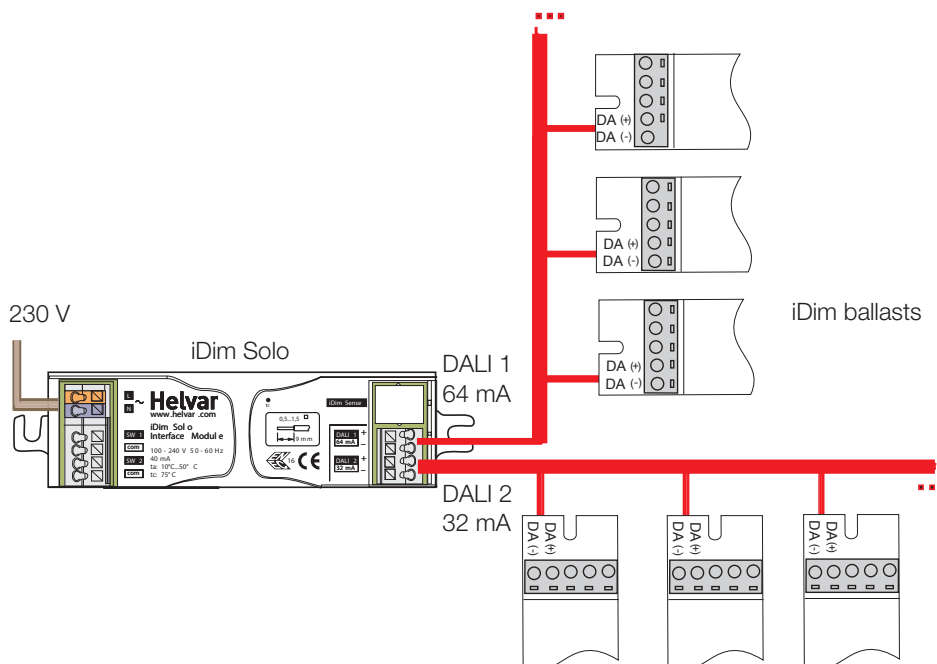
### Installation Notes

- All cabling must be 230 VAC mains rated and considered live when used outside luminaire
- Isolate the mains supply before installation
- The external mains supply to the unit must be protected.
- Install in a restricted access location only, e.g. inside luminaire housing

### iDim Solo as an Interface Module



### iDim Solo as a Power Supply Unit (PSU)



## Technical Data

### Connections

**Mains/DALI/Switch control:** Wire size: 0.5 mm<sup>2</sup> - 1.5 mm<sup>2</sup>  
 Solid, flexible or stranded  
 Strip length: 9 mm

**iDim Sense:** RJ Style 4P4C crossover (max. 3 m)  
 Accessory cable available

**Power cable rating:** All cables must be mains rated

### Power

**Mains supply:** 100 – 240 VAC, 50 – 60 Hz

**Mains supply (absolute):** 85 – 264 VAC, 45 – 65 Hz

**Supply Current:** 40 mA

**Protection:** Internally resettable fuse (PTC)

### Inputs

**Override input:** 2 x Switch control (in combination with iDim Sense) max. length 50 m

### Outputs

**2 x DALI outputs:**

**DALI 1:** 16 V nominal @ 2 to 64 mA

**DALI 2:** 16 V nominal @ 2 to 32 mA

*Note: minimum 2 mA load required on one output only.*

### Mechanical Data

**Dimensions:** 121 x 30 x 21 mm  
 (incl. screw clips)

**Material (casing):** Fire-retardant polycarbonate

**Colour:** White (RAL 9016)

**IP rating:** IP 30

**Weight:** 40 g

**Isolation:** 4 kV

### Operating Conditions

**Ambient temperature:** +10°C to +50°C

**Relative humidity:** Max 90%, non-condensing

**Storage temperature:** -25°C to +75°C

### Conformity and Standards

**EMC: Emission:** EN 55015

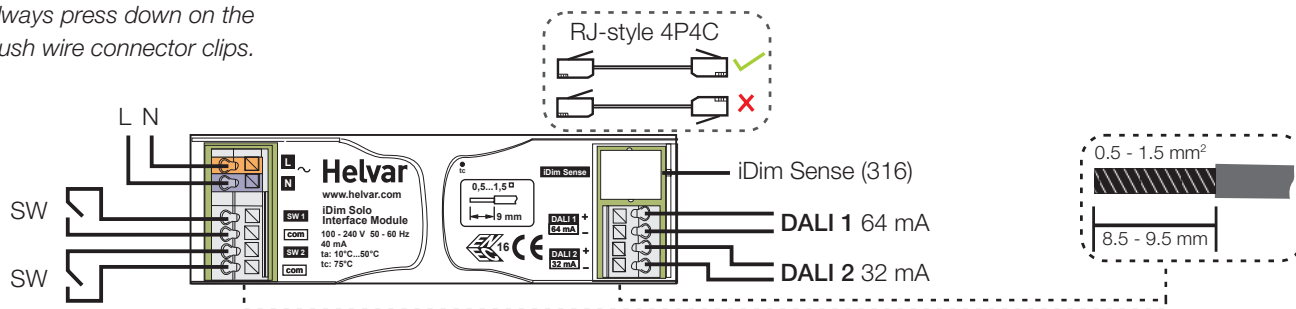
**Immunity:** EN 61547

**Safety:** EN 61347

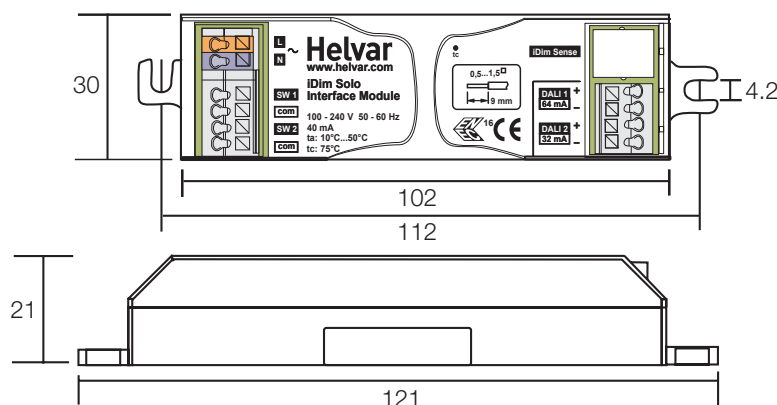
**Environment:** Complies with WEEE and RoHS directives

### Connections

*Note: To remove DALI wiring, always press down on the push wire connector clips.*



### Dimensions (mm)



[www.helvar.com](http://www.helvar.com)