

iDim Remote Control

The Infra-red iDim remote control allows the user to control, modify and configure standalone lighting applications fitted with a 316 iDim Sense.

This hand held unit is fitted with eleven buttons that control basic functions such as raising and lowering the general light level and selecting four pre-set scenes and off.

Pressing certain button combinations together allow basic programming functionality. These include modifying pre-set levels and running test sequences.

Further advanced configuration is possible by connecting the iDim remote control to a PC via a USB cable and editing settings in the iDim Studio software. This enables the user to upload configurations directly to the remote control which can then be transferred to a 316 iDim Sense via IR.

Key Features

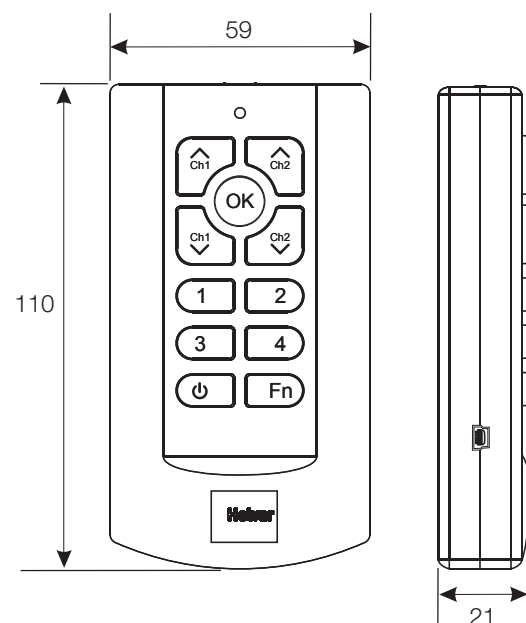
- Mountable wall bracket / desk stand included
- Connects to PC for advanced lighting setup via USB cable
- Compatible with Helvar iDim Studio software
- Remote controls may be individually addressed permitting the use of multiple iDim remotes and 316 iDim Sense units within one area, without interference. This feature is programmable using iDim Studio software.

Installation Notes

- Two AAA batteries (not included) should be installed before using the remote control. Observe battery polarity as indicated on the interior of the battery compartment
- Can be powered without batteries via the USB but operates with reduced range



Dimensions (mm)



Technical Data

Connections

PC to remote: USB 2.0 A Cable to Mini B Cable

Power

Power Supply: 2 x AAA (LR03) 1.5 V Batteries

Range

Operating range: Approx. 10 m

Frequency

Operating frequency: 36 kHz

Remote Control Functions

Infrared remote control: Modify preset light levels (Constant light or Fixed light);
Scene store and recall;
Activate special test functions

Mechanical Data

Dimensions (L x W x D): 110 x 59 x 21 mm

Material (housing): Non-flammable polycarbonate, halogen free.

Colour (housing): Traffic White (RAL 9016)

Weight: 40 g

Bracket screws: 2 x No 6 - 3/4" (3.5 mm x 20 mm) pan pozi head screws

Operating Conditions

Ambient temperature: 0°C — +40°C

Relative humidity: Max 90%, non-condensing

Storage temperature: -10°C — +70°C

Conformity and Standards

EMC: Emission: EN 6100-6-3

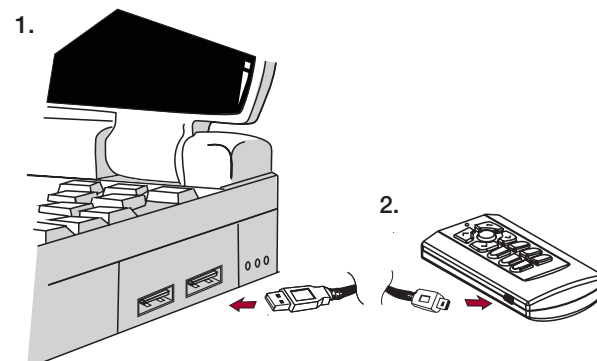
Immunity: EN 6100-6-1

Safety: EN 60 950

Environment: Complies with WEEE and RoHS directives

Connections

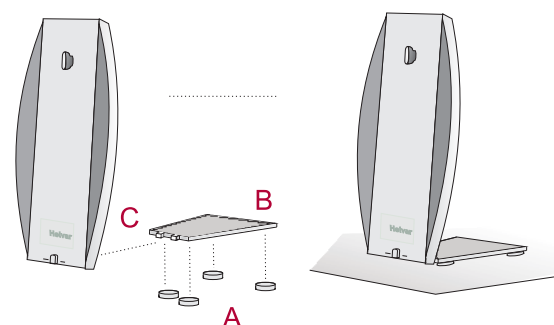
(Optional - For use with iDim Studio software only)



1. Connect USB 2.0 A Cable to USB port of PC or laptop

2. Insert Mini USB B Cable to iDim Remote

Desk Stand Installation



Wall Bracket Installation

