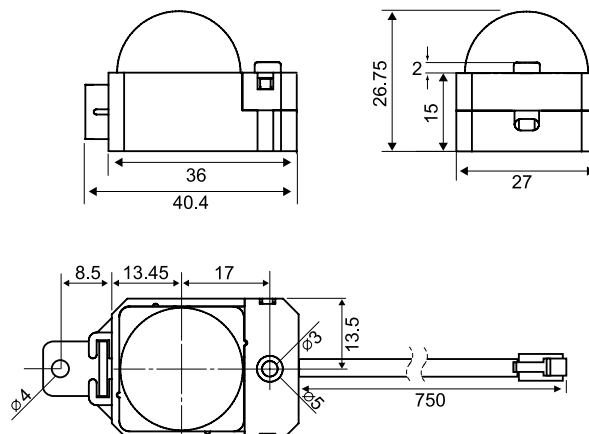
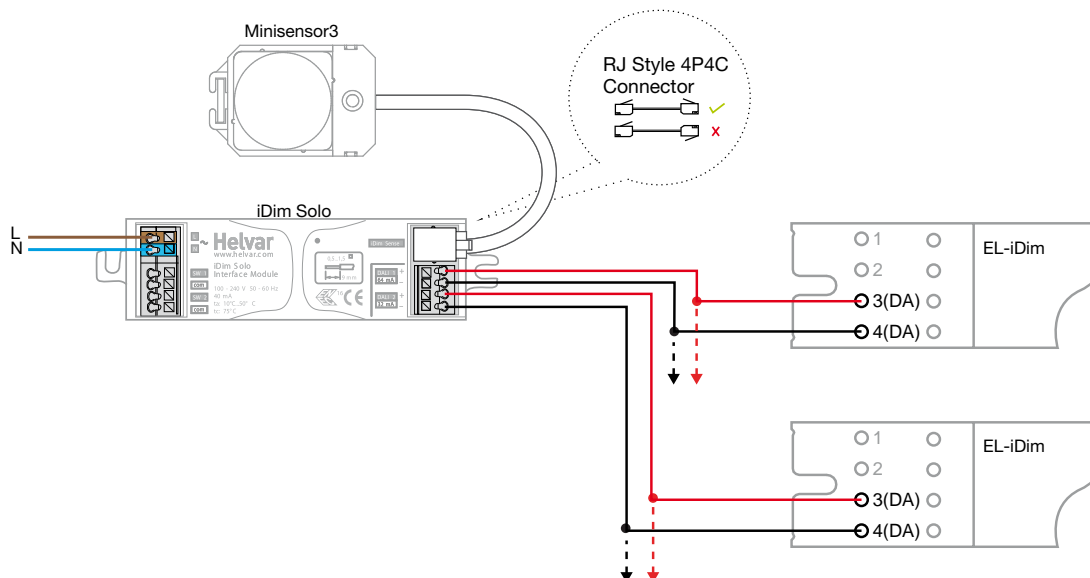


Minisensor3



Luminaire mounted

Connections



Introduction

The Helvar Minisensor3 is a two channel luminaire-mounted component containing three integrated sensors:

- Presence detector (PIR)
- Constant light sensor
- Infrared (IR) receiver.

Key Features

- 4 operating modes, configured with 303 IR-remote
 - 1) Automatic PIR
 - 2) PIR with manual switch ON / automatic OFF
 - 3) PIR with constant light function
 - 4) PIR with manual switch ON / automatic OFF, with the constant light function
- Small and compact size

Technical Data

Supply:	from iDim Solo
Ambient temperature:	0 ...50 °C
Relative humidity:	90 % maximum, non-condensing
Storage temperature:	-10 °C ... 70 °C

Constant light reception area:	100°, 3 m mounting height
PIR detection area:	4.5 m (mounting height 3.0m)

IP rating	21
Electric strength	1.5 kV