

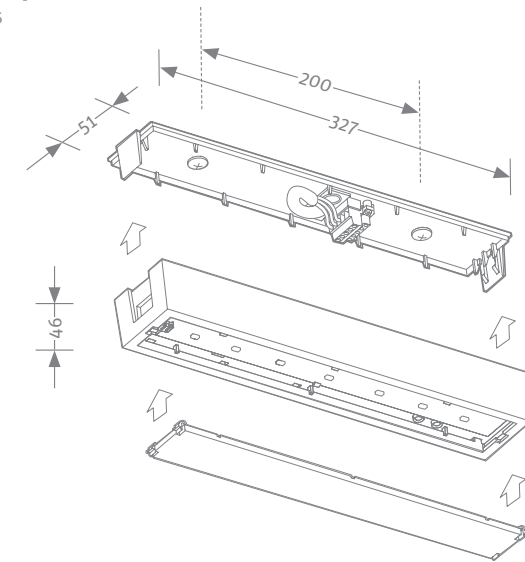


| Typ Type | Model Model | Źródło światła Light source | Czas Time | Funkcja Function | Strumień Luminous flux | Dostępne kolory Available colours |
|---|----------------|--------------------------------|--------------|---------------------|---------------------------|--------------------------------------|
| WERSJA STANDARD (TEST RĘCZNY) / STANDARD VERSION (BUTTON TEST) | | | | | | |
| ONTEC A | 302 NM ST | 7×LED (60 mA) | 3h | NM | - / 150 lm | W/S |
| TEST AUTOMATYCZNY INDYWIDUALNY / AUTOMATIC SEPARATE TEST | | | | | | |
| ONTEC A | 302 NM AT | 7×LED (60 mA) | 3h | NM | - / 150 lm | W/S |
| CENTRALNY MONITORING / CENTRAL MONITORING | | | | | | |
| ONTEC A | 302 NM DATA | 7×LED (60 mA) | 3h | NM | - / 150 lm | W/S |
| CENTRALNA BATERIA / CENTRAL BATTERY | | | | | | |
| ONTEC A | O2 CB | 7×LED (60 mA) | - | - | 150 lm / 150 lm | W/S |

NM – praca awaryjna / non maintained

w – biały – kolor standardowy / white – standard colour
s – kolor na specjalne zamówienie / colour for special order

Wymiary [mm] :
Dimensions



IP20

LED

3h

850°C



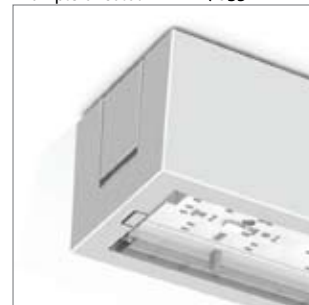
230VAC



Cover to create ONTEC V



Example of colour – RAL 7035



Power connector

