

# Product Data Sheet

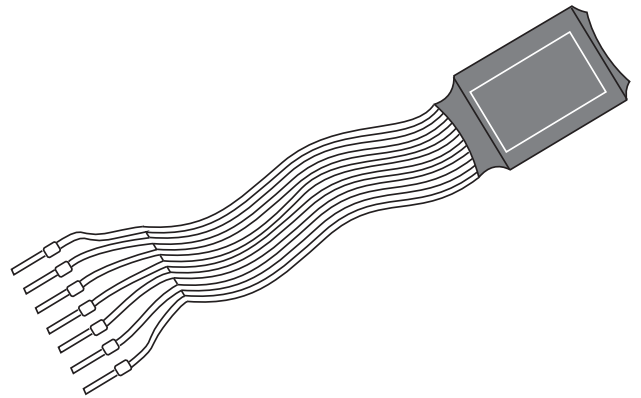
digidim

441

## Occupancy Detector Interface

The 441 Occupancy Detector Interface allows connection of a customer specified occupancy sensor to a DIGIDIM-DALI system. The input accepts a volt free normally closed contact. The pre-wired encapsulated circuit board is intended for mounting inside the wiring space of the sensor.

The 441 also includes a 12 Volt DC supply (15 mA max) to power the sensor.



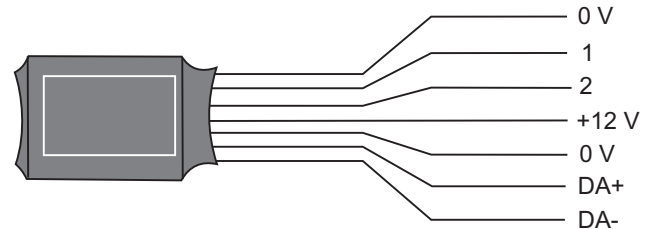
### Key Features

- Fits into the wiring space behind the sensor
- Input for normally closed (NC) volt-free switch compatible with security sensors
- Fully programmable using DIGIDIM Toolbox and Designer software.
- Compatible with Helvar iDim range; functioning as a PIR extension sensor

### Installation Notes

- For installation in a restricted access location only
- All cabling and switches must be 230V mains rated
- Isolate the mains supply before installation
- Do not extend input cables
- Insulate unused inputs

### Default Functions



Connection	Cable Colour
0 V	Brown
1	Red
2	Orange
+12 V	Yellow
0 V	Green
DA +	Blue
DA -	Violet

# Product Data Sheet

digidim

## Occupancy Detector Interface

441

### Technical Data

#### Voltage-free Switched Inputs

Connections:	0 V	Input ground
	1	Sensor input (Normally Closed)
	2	For future use. Do not connect

Voltage at 1: 5 V nominal with input open,  
Must be less than 1 V closed

Overload protection:  $\pm 7$  V

Short-circuit current: 0.5 mA maximum

Debounce Period: 50 ms

### Connections

DALI/Switch/Power: Ribbon cable terminated with 7 Ferrules.  
Ferrule pin  $\varnothing$  1.2 mm

**Note:** To avoid interference problems, the connections must not be increased in length.

### Power

Sensor supply: 12 V @ 15 mA maximum  
(non-isolated)

0 V supply, common to input 0 V

DALI consumption: 10 mA + sensor supply mA  $\leq$  25 mA max

### Operating Conditions

Ambient Temperature:  $-20^{\circ}\text{C}$  to  $+50^{\circ}\text{C}$

Relative Humidity: 90% max, non-condensing

Storage Temperature:  $-10^{\circ}\text{C}$ ... $+70^{\circ}\text{C}$

### Mechanical Data

Housing: Encapsulated printed circuit board.

Weight: 12 g

### Conformity & Standards

#### EMC

Emission: EN 55 015

Immunity: EN 61 547

#### Safety

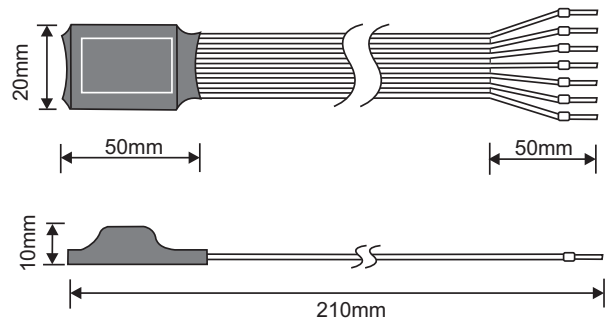
Safety: EN 60 950

IP Rating: 20

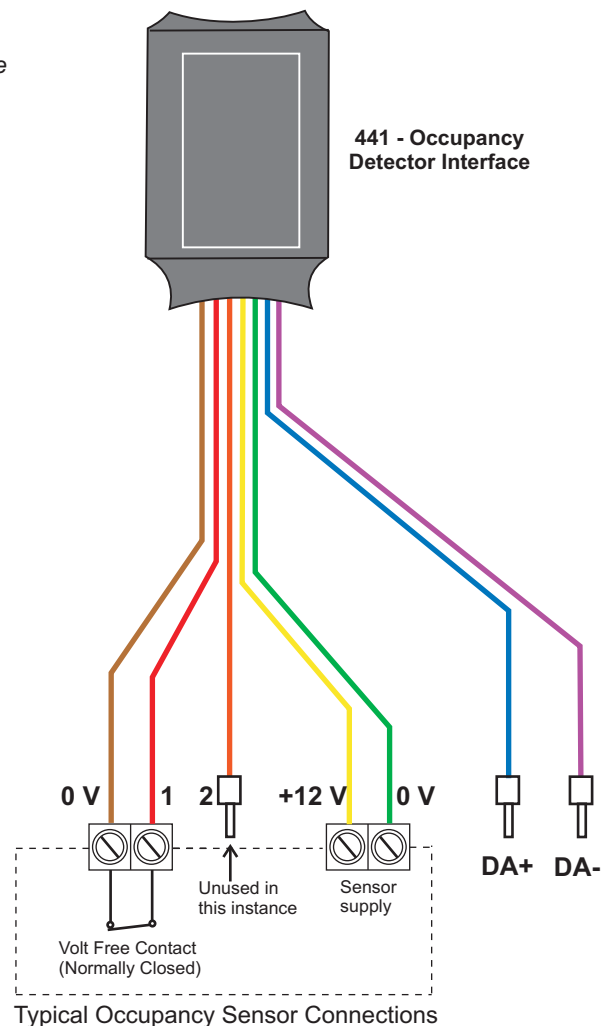
#### Environment

Complies with WEEE and RoHS directives

### Dimensions



### Typical Connection to Occupancy Sensor



Data subject to change without notice

Hawley Mill, Hawley Road, Dartford, Kent, DA2 7SY United Kingdom Tel: +44 (0)1322 222211 Fax: +44 (0)1322 282216

**Helvar**  
www.helvar.com