

Ceiling PIR Detector

The 311 Ceiling PIR Detector is a compact, flush-mounted ceiling unit which provides energy-saving functions when used in a DALI system.

The unit contains these sensors:



- Passive infra-red detector (PIR)
- Infra-red receiver (for 303 IR remote control handset).


As a presence detector, the unit can turn lights on when a room is occupied and off when the room is empty.

The unit is fully compatible with Helvar's lighting system design and control software; Designer, and DIGIDIM Toolbox.

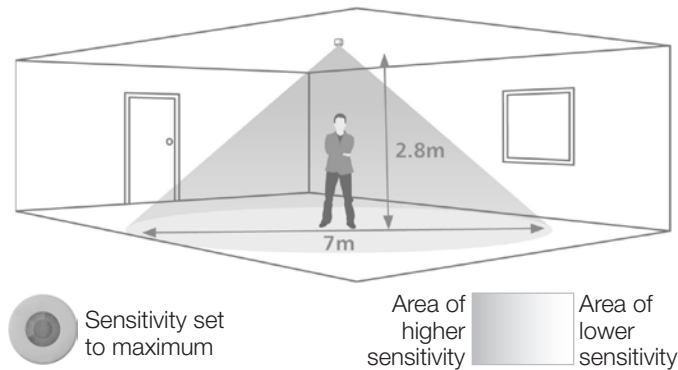
Key Features

- PIR sensor detects movement within detection range allowing load control in response to changes in room occupancy.
- IR Receiver receives control and programming commands from a Helvar 303 IR (infrared) handset (available separately).
- Status LEDs flash red to indicate the following:

Valid setting received	
Identify Active	

 = Red LED

Detection Pattern

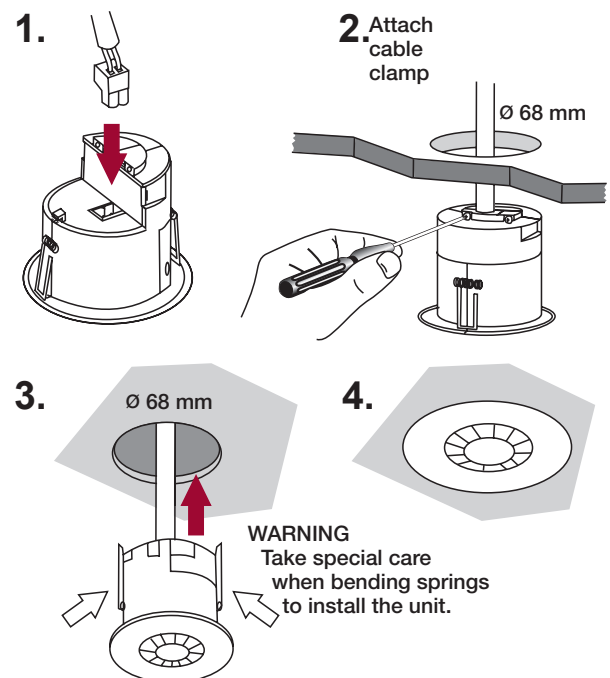


Installation Notes

- Position the sensor so that the occupants of the room are normally inside the detection zone.
- Do not install the sensor within 1 m of any lighting, forced air heating, or ventilation equipment.
- Do not fix the sensor to an unstable or vibrating surface.
- Install the unit as far away as possible from the surface of metal objects.
- The detection pattern illustrated is based on a mounting height of 2.8 m.
- A lower mounting height will decrease the overall size of the detection zone.

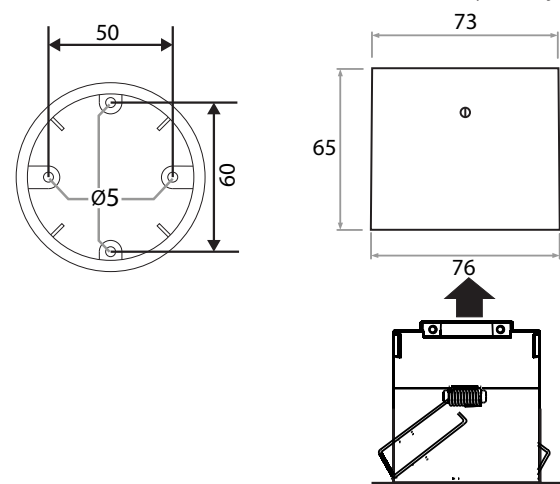


Installation: mounting hole



Installation: Surface back box SBB-A

Note: order the SBB-A surface mount box separately.



Technical Data

Connections

External power / DALI: Removable 2-pole connectors
Wire size: 0.5 mm² - 2.5 mm²
Solid or stranded

Power cable rating: All cables must be mains rated

Power

DALI Supply Input: 13 V to 22.5 V

DALI Consumption: 15 mA

Mechanical Data

Dimensions: See diagram

Material (casing): Non-flammable ABS

Finish / Colour: Matt / White

Weight: 58 g

IP rating: IP 30

Mounting hole diameter: 68 mm

Operating Conditions

Ambient Temperature: 0°C to +35°C

Storage Temperature: -10°C to +70°C

Relative Humidity: Max 95%, non-condensing

Conformity and Standards

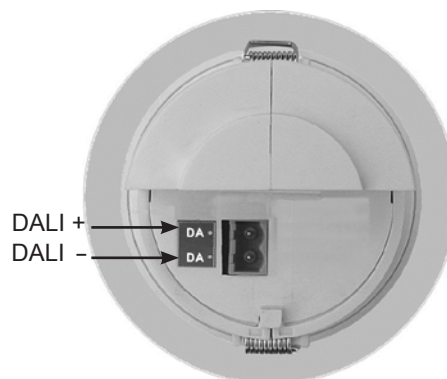
EMC: Immunity: EN 61000-6-1

Emissions: EN 61000-6-3

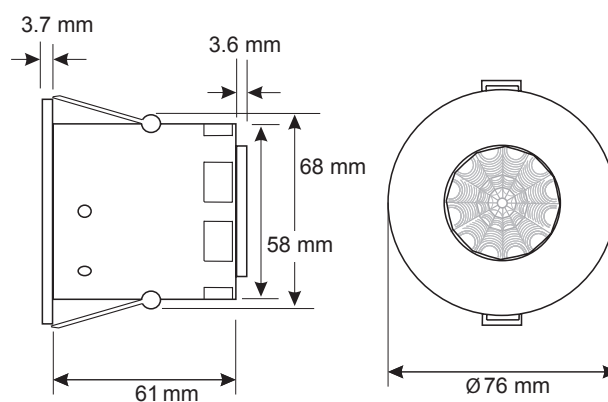
Safety: EN 60730-1

Environment: Complies with WEEE and RoHS directives

Connections



Dimensions



Hole diameter: Ø68 mm